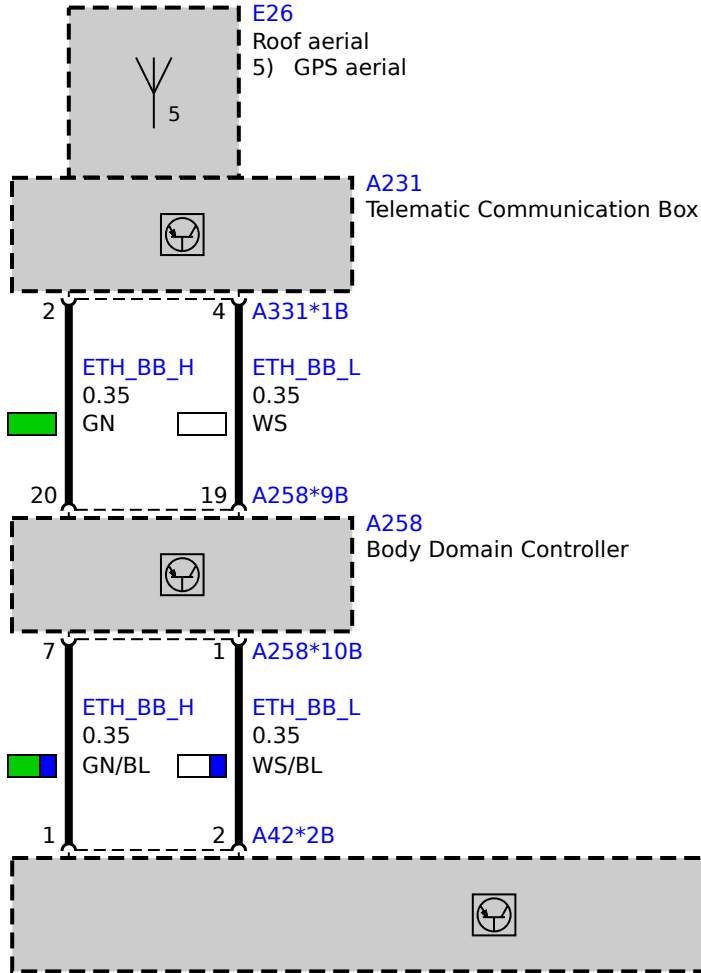


with Telematic Communication Box



without Telematic Communication Box

